

Fractional turns transformers save space, cut costs and improve the efficiency of AC/DC power supplies

Fractional turn transformers are not a new idea but it's not a concept that appears to have been applied to AC/DC power supplies in the past. For multiple output power supplies in particular it offers some significant advantages in terms of saving space, cutting cost and improving efficiency. Here's why.

The challenge comes when you need multiple outputs. In a power supply where 5V and 12V outputs are needed, it would be ideal to have the 5V winding as a single turn on the transformer, but the 12V winding then becomes 2.5 turns, which can't be manufactured. One solution is to make the 5V winding two turns, then 5 turns are needed for the 12V winding. But the low voltage, high current, 5V winding has to carry the full rated load of that output, so its made from thick copper foil, and the transformer has to become much larger if the number of turns is doubled.

In another common scenario, you may need 5V and 3.3V outputs. Normally, a regulator is used on the 5V output to produce the 3.3V rail. This lowers efficiency, eats up board space and adds costs.

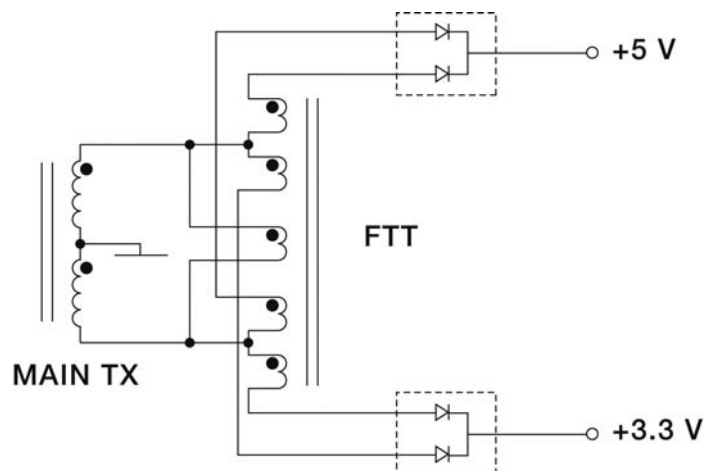


Figure 1

In both cases what's known as a fractional turn transformer solves a lot of problems. The term 'fractional turn' can be a little misleading because it's not a device with partial turns or tapped turns, both of which would unbalance the transformer, even if they could be implemented. Rather, it's a small transformer with a number of windings that connect to the secondary of the power transformer. The arrangement of these windings, shown in Figure 1, can be used to effectively add or subtract to the output voltage from the power transformer's secondary, depending on the phase in which it is connected. For example, where you need 5V and 3.3V the power transformer can be designed so that a single turn secondary winding delivers 4.5V. The separate fractional turns transformer adds 0.5V to deliver a 5V output and subtracts 1.2V to produce the 3.3V output. This additional transformer can be very small because it handles very little low power due to the low voltage present across each winding.

Where a 12V output is needed, the same power transformer can use a 3-turn secondary to produce 13.5V at its output, with a small fractional turn transformer utilized to reduce this to 12V. Of course, the magic is in how you design and connect the fractional turn transformer, but the general principle is very well demonstrated in XP Power's RCL175 family of compact, multi-output 175W AC/DC switchers, an example of which is shown in Figure 2. Here, customers can specify any voltage within the operating range of each output and the company delivers what is effectively a custom power supply simply by modifying the transformer arrangement. The power supplies have industrial, IT and medical approvals.



Figure 2

www.xppower.com

North American Sales Offices

Toll Free +1 (800) 253-0490
Central Region +1 (972) 578-1530

Eastern Region +1 (973) 658-8001
Western Region +1 (408) 732-7777

European Sales Offices

Belgium +33 (0)1 45 12 31 15
Denmark +45 43 42 38 33
France +33 (0)1 45 12 31 15
Germany +49 (0)421 63 93 3 0
Italy +39 039 2876027

Netherlands +49 (0)421 63 93 3 0
Norway +47 63 94 60 18
Sweden +46 (0)8 555 367 00
Switzerland +41 (0)56 448 90 80
United Kingdom +44 (0)118 984 5515

Distributors

Australia +61 2 9809 5022 Amtex
Austria +43 (0)2282 3144 Vitcom
Czech Rep. . . +420 235 366 129 Vums Powerprag
Czech Rep. . . +420 377 824 986 Vienna Trading
Finland . . . +358 (0)9 2906 1990 Cool Power
Israel +97 2 9 749 8777 Appletec

Japan +81 48 864 7733 Bellnix
Korea +82 31 421 1404 Bellkor
Portugal +34 93 263 33 54 Venco
Russia +7 (495)234 0636 Prosoft
South Africa . . +27 11 453 1910 Vepac
Spain +34 93 263 33 54 Venco

Global Catalogue Distributors

AmericasNewark www.newark.com
Europe & Asia Farnell www.farnell.com

North American HQ

XP Power
990 Benecia Avenue
Sunnyvale, CA 94085
Phone : +1 (408) 732-7777
Fax : +1 (408) 732-2002
Email : nasales@xppower.com

European HQ

XP Power
Horseshoe Park
Pangbourne
Berkshire, RG8 7JW
Phone : +44 (0)118 984 5515
Fax : +44 (0)118 984 3423
Email : eusales@xppower.com

Asian HQ

XP Power
401 Commonwealth Drive
Haw Par Technocentre
Singapore 149598
Phone : +65 6411 6900
Fax : +65 6741 8730
Email : apsales@xppower.com



T H E X P E R T S I N P O W E R