



6.1 Gen. 1200V NX-Series IGBTs

Overview

The Powerex 6.1 Generation NX-Series IGBTs greatly simplify the design of medium power inverters for various industrial applications. Features such as an industry standard low profile package, best in class thermal impedance, and very low loss 6.1 Generation CSTBT™ Silicon facilitate a very efficient, economical, robust inverter design.

The NX-Series lineup has been expanded to include a 600 amp, 1200 volt dual module to suit a higher power range of applications. New design effort is minimized, as the 6.1 Generation NX-Series employs the same standard packaging and features previously introduced for the 5th and 6th Generation NX-Series.

Applications

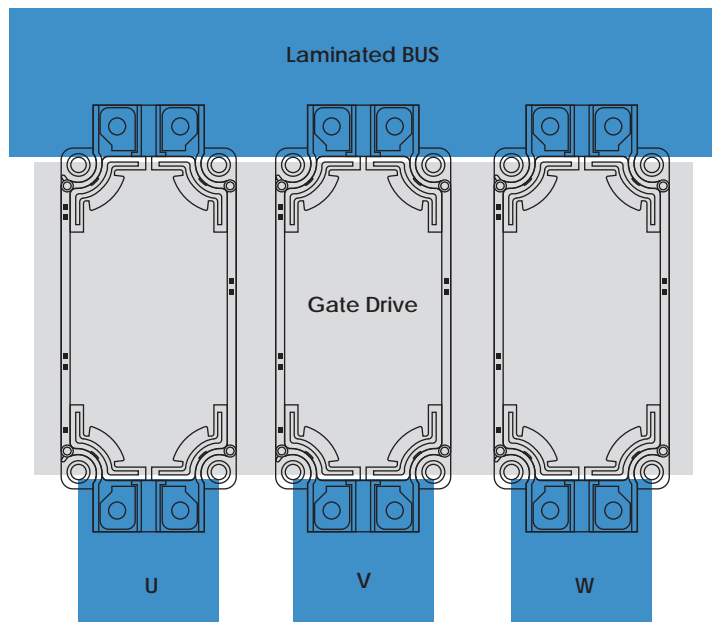
- Motor drives
- Wind & PV inverters
- UPS
- Power supplies
- Medical equipment

Product Advantages

- Low-loss 6.1 generation CSTBT™ silicon
- Aluminum nitride (AlN) ceramic substrate for low thermal impedance
- Low-profile package to simplify layout
- Integral Thermistor

Flow Through Layout

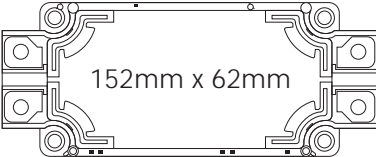
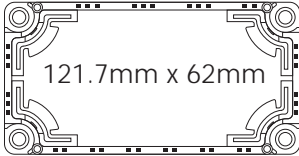
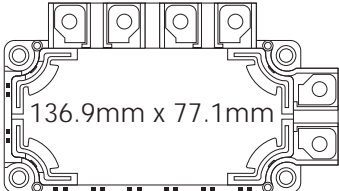
NX-Package Flow-Through Design provides simplified layout and DC BUS design.



www.pwrx.com

Serving Our Customers Through Expertise, Innovation and Reliability

NX 6.1 Series IGBTs Line-up Table

Package	Part Number	Connection	V _{CES} (V)	I _C (A)
 152mm x 62mm	CM225DX-24S1	Dual	1200	225
	CM300DX-24S1	Dual	1200	300
	CM450DX-24S1	Dual	1200	450
	CM600DX-24S1	Dual	1200	600
 121.7mm x 62mm	CM100TX-24S1	6-in-1	1200	100
	CM150TX-24S1	6-in-1	1200	150
 136.9mm x 77.1mm	CM100RX-24S1	7-in-1	1200	100
	CM150RX-24S1	7-in-1	1200	150



Mitsubishi Power
Module Loss Simulator
(MELCOSIM) software,

available at www.pwr.com, validates device selection based on your specific conditions.



PowerSim App easily calculates the semiconductor power losses of your 3-phase inverter.

Now available at www.pwr.com for iPhone and Android smart phones.



POWEREX

For more information:

visit: <http://www.pwr.com/summary/IGBT/IGBT.aspx>

email: globalsales@pwr.com

phone: 724-925-7272, Option 3 (Applications Engineering Assistance)



CSTBT is a registered trademark of Mitsubishi Electric Corp.